



LED Flashlights





- T23975** USB Rechargeable 12-LED Flashlight (Red)
- T23976** USB Rechargeable 12-LED Flashlight (Blue)
- T23977** USB Rechargeable 12-LED Flashlight (Green)

- High performance, durable flashlight
- Compact, lightweight aluminum alloy construction
- 12 super bright 100,000-hour life LEDs
- 300mAH Ni-MH battery capacity
- Over 4 hours of continuous use
- Up to 15,000 peak beam candlepower, 14 lumens
- Use USB outlet to charge flashlight (USB - AC charger not included)



Charge by computer



T23951 USB Rechargeable 12-LED Flashlight

- High performance, durable flashlight
- Compact, lightweight aluminum alloy construction
- 12 super bright 100,000-hour life LEDs
- 300mAH Ni-MH battery capacity
- Over 4 hours of continuous use
- Up to 15,000 peak beam candlepower, 14 lumens
- Includes AC and 12V Auto chargers



Charge by computer



12V Auto Charger



USB - AC Charger



Charge by AC Adaptor



Charge by Auto

T24010 Rechargeable 14-LED Flashlight

- High performance, durable flashlight
- Compact, lightweight aluminum alloy construction
- 14 super bright 100,000-hour life LEDs
- 300mAH Ni-MH battery capacity
- Over 3 hours of continuous use
- Up to 15,000 peak beam candlepower, 45 lumens
- Includes a combo AC and USB Charger



T24011 Rechargeable 1-Watt LED Flashlight

- High performance, ultra bright flashlight
- Compact, lightweight aluminum alloy construction
- Lithium-ion 1400mAH battery capacity
- Over 15 hours of continuous use
- High intensity, ultra bright 1-watt 100,000-hour life LED, 120 lumens
- Includes a combo AC and USB Charger



Pull to Extend for Charging



T24012 Rechargeable 1-Watt Multi-Function LED Flashlight

Super-Bright
1-Watt LED



- Versatile, high powered flashlight
- Compact, lightweight aluminum alloy construction
- Lithium-ion 2,200mAH battery capacity
- Over 24 hours of continuous use
- High intensity, ultra bright 1-watt 100,000-hour life LED, 123 lumens
- Three light intensity modes: 50%, 100% and strobe mode
- Includes a combo AC and USB Charger



Strobe Warning Light

Three Modes:
50% Brightness,
100% Brightness,
Strobe



Pull to Extend for Charging

USB - AC
Charger



USB Cable



Charge by Computer

T23929 12V Rechargeable 14-LED Auto Flashlight



- High performance, durable flashlight
- Compact, lightweight aluminum alloy construction
- 14 super bright 100,000-hour life LEDs
- Recharges in 12V DC socket
- 300mAH Ni-MH rechargeable battery
- Over 3 hours of continuous use
- Up to 15,000 peak beam candlepower, 45 lumens

On / Off



Auto Cigarette
Lighter Inlet



T19702 6-LED Flashlight with Magnetic Pickup

- 20" (500mm) Extendable retriever with flexible shaft
- Magnet lifts up to 3 lbs
- 6 super bright 100,000-hour life LEDs
- Over 8 hours of continuous use



4pc LR44
Button-Cell
Batteries Included 



Magnetic Tip



Pull and Release Head to Extend Pickup



Model	Color
T23895	Gray
T23896	Black
T23897	Red
T23898	Blue



Ultra Bright 6-LED Flashlight



Easily Access and Illuminate in Dark Confined Areas

6-LED Flashlight with Magnetic Pickup

- 20" (500mm) Extendable retriever with flexible shaft
- Magnet lifts up to 3 lbs
- 6 super bright 100,000-hour life LEDs
- Over 4 hours of continuous use



4pc LR44
Button-Cell
Batteries Included 

Model	Color
T19726	Black
T19727	Red
T19728	Blue



Great for Graduation or Father's Day Promotions, Premiums or Special Presentations

5-LED Mini Flashlight with Magnetic Pickup

- 14-1/2" (265mm) Extendable retriever
- Magnet lifts up to 1 lb
- 5 super bright 100,000-hour life LEDs
- Over 5 hours of continuous uses

Model	Color
T23890	Black
T23891	Red
T23892	Blue
T23893	Gray



4pc LR44
Button-Cell
Batteries Included 



T19717 5-LED Mini Flashlight with Magnetic Pickup (8pc/Box)

- Packed with 8pc of red color flashlights in a display tray



T23910 Heavy Duty Magnetic Pickup with 3-LED Flashlight

- Extends up to 27" (685mm)
- Strong, flexible shaft
- Heavy duty magnet lifts up to 10 lbs
- 3 super bright 100,000-hour life LEDs
- Over 6 hours of continuous use



4pc LR44
Button-Cell
Batteries Included 

T23914 2-LED Mini Flashlight w/ Emergency Cell Phone Charger

- Compact, lightweight aluminum alloy construction
- 2 super bright 100,000-hour life LEDs
- Over 3 hours of continuous use
- Up to 15,000 peak beam candlepower, 7 lumens
- Emergency cell phone charger w/ 7 adaptors



1pc AA
Battery Included 



- | | |
|------------------|--------------------------|
| 1. LG | 5. Blackberry / Motorola |
| 2. Samsung | 6. Nokia |
| 3. Sony Ericsson | 7. Nokia |
| 4. Macro USB | |

- Contents:
 - 1 - 2-LED Mini Flashlight w/ Emergency Cell Phone Charger
 - 7 - Adaptors
 - 1 - AA Heavy Duty Energizer Battery





T23956 5-LED Mini Flashlight and Screwdriver



Screwdriver Bits Stored in Handle



Precision Bit Sizes:
Phillips: #0
Slotted: 5/64" (2mm),
1/8" (3mm)



4pc LR44 Button-Cell Batteries Included

- Versatile, rugged flashlight / screwdriver combo
- Compact, lightweight aluminum alloy construction
- 5 super bright 100,000-hour life LEDs
- Combo batteries & bits pack stored in handle
- Over 2 hours of continuous use
- Up to 15,000 peak beam candlepower, 6 lumens
- Up to 10ft. beam range



T23959 6-LED Flashlight and Screwdriver



Combo Pack Stores batteries & Screwdriver Bits



Screwdriver Bit Sizes:
Phillips: #1, #2
Slotted: 3/16" (5mm),
1/4" (6mm)



3pc AAA Batteries Included

- Versatile, rugged flashlight / screwdriver combo
- Compact, lightweight aluminum alloy construction
- 6 super bright 100,000-hour life LEDs
- Combo batteries & bits pack stored in handle
- Over 8 hours of continuous use
- Up to 15,000 peak beam candlepower, 15 lumens
- Up to 45ft. beam range

T23997 1-LED Inspection Flashlight with Magnetic Pickup

24

Rotate Head to Turn Light On / Off



4pc LR41 Button-Cell Batteries Included



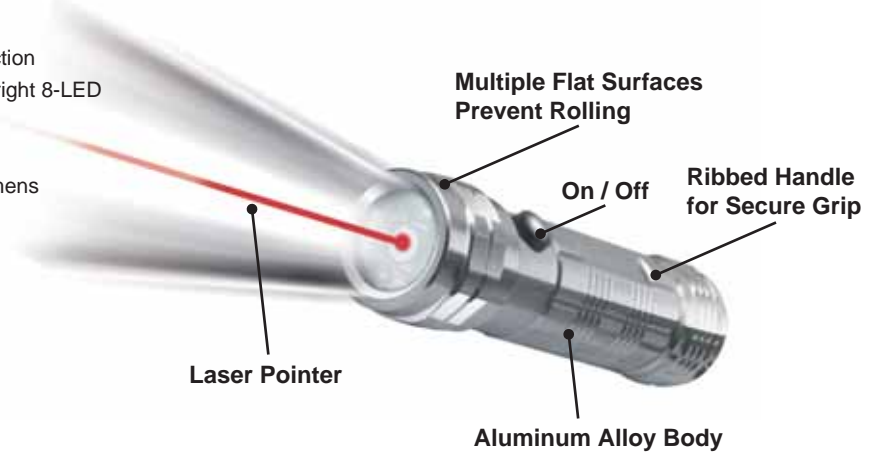
- Durable, aluminum alloy construction
- 1pc super bright 100,000-hour life white LED
- Over 2 hours of continuous use
- Up to 15,000 peak beam candlepower, 4 lumens
- Magnetic pickup lifts up to 1 lb
- Use with 4pc LR41 batteries

Push Button to Turn Light On / Off



T23921 8-LED Flashlight w/ Laser Pointer

- High performance, durable flashlight
- Compact, lightweight aluminum alloy construction
- High-range laser pointer encircled by super bright 8-LED flashlight for superior illumination
- Over 14 hours of continuous use
- Up to 15,000 peak beam candlepower, 15 lumens
- Up to 45ft. beam range, 300ft. w/ laser range



T23968 9-LED Flashlight (8 White + 1 Green)

- High performance, durable flashlight
- Compact, lightweight aluminum alloy construction
- 8 super bright 100,000-hour life white LEDs
- Green LED cuts through mist and fog
- Over 14 hours of continuous use
- Up to 15,000 peak beam candlepower, 15 lumens
- Up to 45ft. beam range



T24000 3-in-1 Multi-Function LED Flashlight w/ Magnetic Base


- Versatile, high performance flashlight
- Compact, lightweight aluminum alloy construction
- Total 41 super bright 100,000-hour life LEDs
- 3 light modes: 17-LED flashlight, 18-LED work light, and 6-LED warning light
- Over 10 hours of continuous use
- Up to 15,000 peak beam candlepower, 18 lumens
- Up to 36ft. beam range



Attach magnetic base to a metal object for maintenance work



T23985 2-in-1 Lantern / Flashlight



Flashlight Mode

Lantern Mode

Slide Handle to Switch from Flashlight to Lantern Mode

On / Off

- LED
- 35ft. Beam Distance
- 7 Lumens Output
- 48 Hours Battery Life

3pc AAA Batteries Included



T23980 5 LED Clip-On Light

- 3 light modes: white, red, flash
- 5 extra bright LEDs
- Clip-on for hands-free illumination

- 5-LED
- 24ft. Beam Distance
- 8 Lumens Output
- 18 Hours Battery Life

2pc Extra CR 2032 Button-Cell Batteries Included



T23971 2-LED Head Lamp

- 2 light modes: white, flash
- Ultra bright LED
- Elastic head strap



- 2-LED
- 35ft. Beam Distance
- 20 Lumens Output
- 14 Hours Battery Life

3pc AAA Batteries Included

- To Replace Batteries:**
1. Unscrew tailcap.
 2. Replace with 3 new AAA batteries.



- 3-LED Light Modes:**
1. Bright
 2. Super Bright
 3. 1-Red LED



Micro Miniture LED Flashlights

- Aluminum alloy construction
- Extra compact design
- Super bright 100,000-hour life LED
- Includes 4pc LR41 button cell batteries

T23990 Red

T23991 Blue

T23992 Green



12-LED Flashlight (9 White + 3 Color)

- Compact, lightweight aluminum alloy construction
- 12 super bright 100,000-hour life LEDs
- Color LEDs specially designed to serve a variety of applications

T23993 Red LED - Enhances night vision

T23994 Blue LED - Shines through water and glass

T23995 Green LED - Cuts through mist and fog



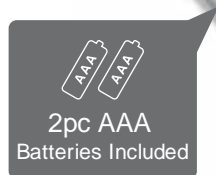
T23996 1-LED Pen Style Flashlight

- Over 7 hours of continuous use
- Up to 15,000 peak beam candlepower, 4 lumens
- 1pc super bright 100,000-hour life LED
- Up to 14ft. beam range



T23917 1-LED Pen Style Flashlight

- Over 50 hours of continuous use
- Up to 15,000 peak beam candlepower, 2 lumens
- Super bright 100,000-hour life LED
- Up to 13ft. beam range



T23913 3-LED Mini Flashlight

- High performance, durable flashlight
- Compact, lightweight aluminum alloy construction
- 3 super bright 100,000-hour life LEDs
- Over 6 hours of continuous use
- Up to 15,000 peak beam candlepower, 8 lumens
- Up to 13ft. beam range



1pc AA
Battery Included



T23919 3-LED Mini Flashlight

- High performance, durable flashlight
- Compact, lightweight aluminum alloy construction
- 3 super bright 100,000-hour life LEDs
- Over 5 hours of continuous use
- Up to 15,000 peak beam candlepower, 5 lumens
- Up to 13ft. beam range
- Includes key chain



4pc LR44
Button-Cell
Batteries Included



T23909 6-LED Flashlight

- High performance, durable flashlight
- Compact, lightweight aluminum alloy construction
- 6 super bright 100,000-hour life LEDs
- Over 14 hours of continuous use
- Up to 15,000 peak beam candlepower, 19 lumens
- Up to 40ft. beam range



3pc AAA
Batteries Included



T23922 12-LED Flashlight

- High performance, durable flashlight
- Compact, lightweight aluminum alloy construction
- 12 super bright 100,000-hour life LEDs
- Over 15 hours of continuous use
- Up to 15,000 peak beam candlepower, 25 lumens
- Up to 50ft. beam range



3pc AAA
Batteries Included

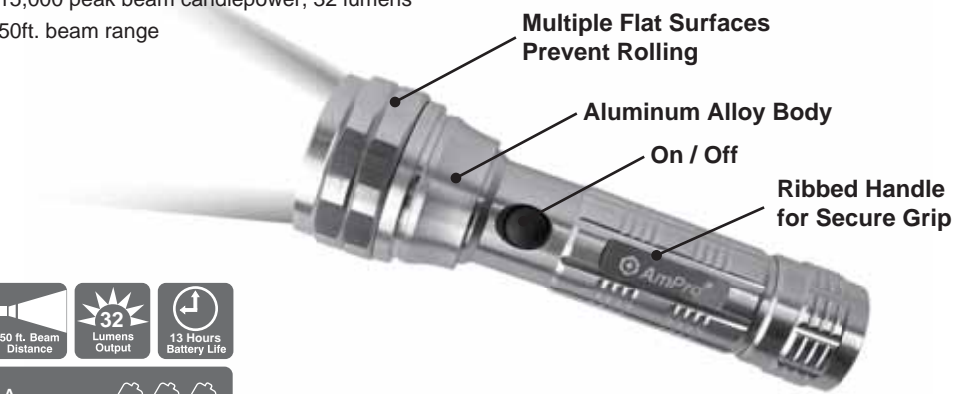


T23923 21-LED Flashlight

- High performance, durable flashlight
- Compact, lightweight aluminum alloy construction
- 21 super bright 100,000-hour life LEDs
- Over 13 hours of continuous use
- Up to 15,000 peak beam candlepower, 32 lumens
- Up to 50ft. beam range



3pc AAA
Batteries Included



T23967 Heavy Duty 1 Watt Flashlight

- Compact, professional grade, high performance flashlight
- Heavy duty aluminum alloy construction
- High intensity, ultra bright 1-watt 100,000-hour life LED, 92 lumens
- Over 168 hours of continuous use
- Up to 140ft. beam range
- Uses 3pc C-size batteries (Batteries not included)



3pc C Batteries





T23965 Heavy Duty 1 Watt & 38-LED Flashlight

- Professional grade, high performance flashlight
- Heavy duty aluminum alloy construction
- 1 Watt 100,000-hour life LED, 60 lumens
- 38-LED super bright 100,000-hour life LED, 40 lumens
- Uses 2pc D-size batteries (Batteries not included)

1 Watt	80ft. Beam Distance	60 Lumens Output	60 Hours Battery Life
38-LED	50ft. Beam Distance	40 Lumens Output	60 Hours Battery Life

2pc D Batteries



T23966 Heavy Duty 3 Watt Flashlight

- Full-size, professional grade, high performance flashlight
- Heavy duty aluminum alloy construction
- High intensity ultra bright 3-watt 100,000-hour life LED, 100 lumens
- Over 80 hours of continuous use
- Up to 145ft. beam range
- Uses 3pc D-size batteries (Batteries not included)

3-Watt	145ft. Beam Distance	100 Lumens Output	80 Hours Battery Life
--------	----------------------	-------------------	-----------------------

3pc D Batteries

24

